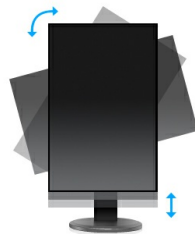




Full HD LED monitor with 1 ms response time, perfect choice for home and office

The ProLite B2483HS is an excellent 24" Full HD LED-backlit monitor with 1920 x 1080p resolution. It features 1ms response time and 80 000 000 : 1 Advanced Contrast Ratio, assuring clear and vibrant picture quality and high contrast. Triple Input support ensures compatibility with the latest installed graphics cards and embedded Notebook outputs. The ergonomic stand offers 13 cm height adjustment with pivot and swivel, making this screen suitable for a wide range of applications and environments where workplace flexibility and ergonomics are key factors. The monitor is TCO6 and Energy Star Certified. A perfect solution for education, local government, business and finance markets.



HAS + Pivot

With a height adjustable stand you will create an ergonomic work posture and position that meets all health and safety requirements. This will not only prevent any health issues but will also increase your productivity. The pivot function allows the screen to rotate from landscape to portrait orientation. This functionality can be useful if the application requires more height than width.



Flicker-free + Blue light

The ultimate solution for the comfort and health of your eyes. Flicker-free monitors with the blue light reducer function substantially reduce the strain and fatigue caused by flickering and blue light emittance of regular monitors.

01 DISPLAY CHARACTERISTICS

| | |
|---------------------|---|
| Diagonal | 24", 61cm |
| Panel | TN LED, matte finish |
| Native resolution | 1920 x 1080 @75Hz (HDMI&DisplayPort, 2.1 megapixel Full HD) |
| Aspect ratio | 16:9 |
| Brightness | 250 cd/m ² typical |
| Static contrast | 1000:1 typical |
| Advanced contrast | 80M:1 |
| Response time | 1ms |
| Viewing zone | horizontal/vertical: 170°/160°, right/left: 85°/85°, up/down: 80°/80° |
| Viewing zone CR>5 | horizontal/vertical: 178°/170°, right/left: 89°/89°, up/down: 85°/85° |
| Colour support | 16.7mln 8bit (6bit + Hi-FRC) |
| Horizontal Sync | 30 - 80KHz |
| Vertical Sync | 55 - 75Hz |
| Viewable area W x H | 531.4 x 298.9mm, 20.9 x 11.8" |
| Pixel pitch | 0.276mm |
| Colour | matte, black |

02 INTERFACES / CONNECTORS / CONTROLS

| | |
|---------------------|-------------------------------------|
| Signal input | VGA x1 HDMI x1 DisplayPort x1 |
| HDCP | yes |
| Headphone connector | yes |

03 FEATURES

| | |
|--------------------|---|
| Blue light reducer | yes |
| Flicker free | yes |
| OSD languages | EN, DE, FR, ES, IT, CN, RU, JP, CZ, NL, PL |
| Control buttons | Power, Menu/ Select, Scroll up/ Volume, Scroll down/ ECO, Exit, Input Select |
| User controls | picture adjust (contrast, brightness, OD, ACR, ECO, Blue Light Reducer), input select, audio adjust (volume, mute, digital audio), colour adjust, image adjust (auto adjust, H. position, V. position, clock, phase, sharpness, video mode adjust), language, setup (OSD position, OSD timeout, opening logo, auto power off), display information, reset |
| Speakers | 2 x 1W |
| Convenience | Kensington-lock™ prepared, DDC2B, Mac OSX |

04 MECHANICAL

| | |
|------------------------------|--|
| Display position adjustments | height, pivot (rotation), swivel, tilt |
| Height adjustment | 130mm |
| Rotation (PIVOT function) | 90° |
| Swivel stand | 90°; 45° left; 45° right |
| Tilt angle | 22° up; 5° down |
| VESA mounting | 100 x 100mm |

05 ACCESSORIES INCLUDED

Cables

power, HDMI

Other

quick start guide, safety guide

06 POWER MANAGEMENT

Power supply unit

internal

Power supply

AC 100 - 240V, 50/60Hz

Power usage

24W typical, 0.5W stand by

07 SUSTAINABILITY

Regulations

TCO, CE, TÜV-GS, VCCI-B, PSE, CU

Energy efficiency class

A

EPEAT Silver

EPEAT is a comprehensive environmental rating that helps identify greener computers and other electronic equipment. The Silver certification means the monitor meets all required criteria plus at least 50% of the optional requirements. EPEAT Silver is valid in countries where iiyama registers the product. Please visit www.epeat.net for the registration status in your country.

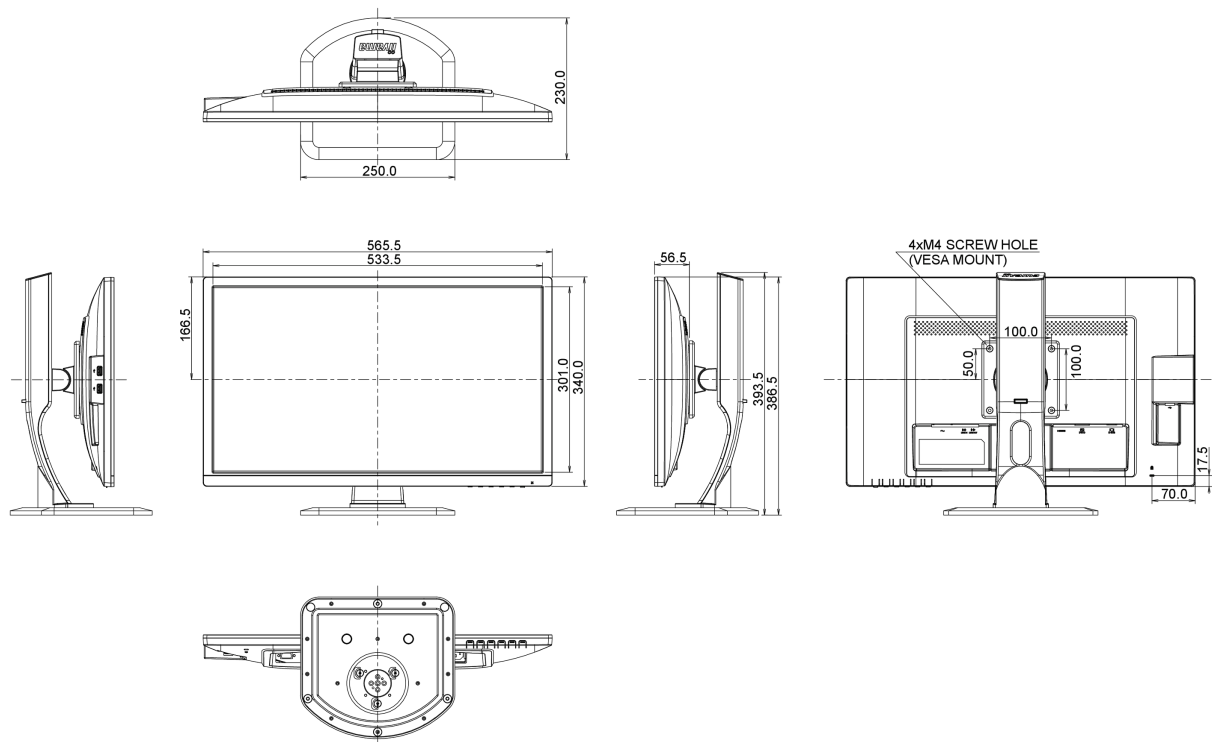
08 DIMENSIONS / WEIGHT

Product dimensions W x H x D

565.5 x 386.5 (516.5) x 230mm

Weight (without box)

5.1kg



All trademarks and registered trademarks acknowledged. E & O E. Specification subject to change without notice. All LCD's comply with ISO-9241-307:2008 in connection with pixel defects.

